

OWNER'S MANUAL

BLACK MAGIC SPA VAC™
FOR EASY SPOT CLEANING
ITEM NO. 28200



POOLMASTER®
WE MAKE WATER FUN!

P.O. BOX 340308
SACRAMENTO, CA 95834-0308
1-800-854-1492
www.poolmaster.com

Table of Contents

Introduction	3
Product At-A-Glance	4
Battery Installation.....	5
Use Instruction	6-8
Cleaning Removable Filter Bag	9-10
Installing the Brush Attachment	11
Warranty	12

Introduction

Congratulations on your purchase of our battery operated Black Magic™ Spa Vac. The Black Magic™ Spa automated vacuum is made to simplify your Spa and pool cleaning. Cleaning is easy — once you press the switch, the simple pump action creates a suction that draws in water and debris from your pool or spa.

Read and understand all safety instructions, operating instructions and all warnings and cautions before use.

This manual explains battery installation instructions, operating directions, and maintenance procedures.

Please do not return this product to the retailer, contact a customer service representative for warranty information.

If you have any questions after reading this manual, please call a Poolmaster Customer Service Representative at 1-800-854-1492.

Product At-A-Glance



Battery Installation

1. Unscrew cap from the top of the handle.
2. Remove battery case
3. Insert 8 “AA” batteries, please take care that the correct orientation (positive and negative) is observed (*see Fig. 1*).
4. Insert the battery case back into the battery compartment. (Excessive force used to insert the battery case into the handle can damage the electrical wires.)
5. Twist the cap that provides access to the battery compartment tightly to ensure that it is sealed from water leakage.
6. Your Black Magic™ Spa Vac is now ready to use.

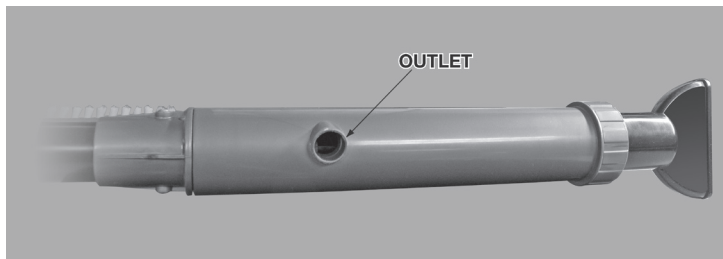
(Fig. 1)



Use Instruction

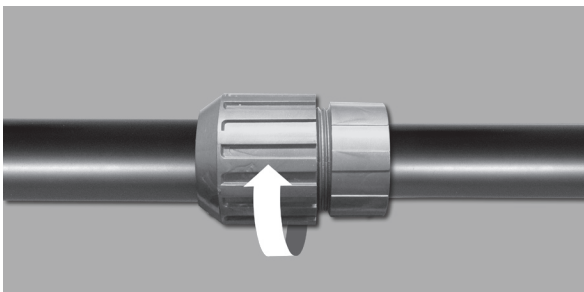
1. Lower the Black Magic™ Spa Vac into the water to the area requiring vacuuming, being careful not to submerge the handle.
2. Water should cover the vacuum end outlet at all times when in use. (see *Fig. 2*)

(Fig. 2)



3. Adjust the Twist Lock in the middle of the vacuum pole to desired length. (see Fig. 3)

(Fig. 3)



Use Instruction Cont...

4. Press the On/Off button to turn on. (see Fig. 4)
5. Slowly vacuum debris.
6. Remove Black Magic™ Spa Vac from the water and press the On/Off button to turn off.
7. Always clean filter basket after each use. (See *Cleaning Removable Filter Basket Instructions on pages 9 and 10*)

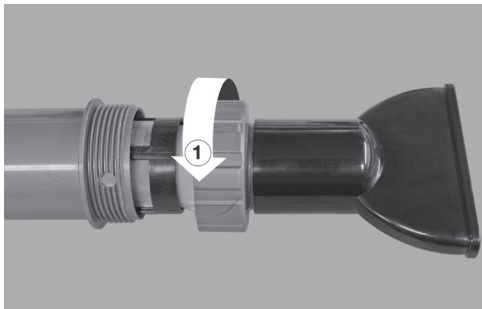
(Fig. 4)



Cleaning Removable Filter Bag

1. Unscrew head attachment (counter clockwise) (see *Fig. 5*).

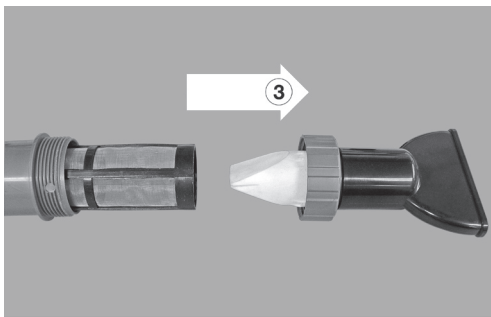
(Fig. 5)



Cleaning Removable Filter Bag Cont...

3. Remove head assembly from filter basket by pulling.
(see Fig. 6)
4. Allow the debris to dry.
5. Gently shake filter basket into garbage container.
6. Return filter basket assembly into the vacuum.
7. Return the filter basket assembly into the vacuum.
8. Return vacuum head attachment.

(Fig. 6)

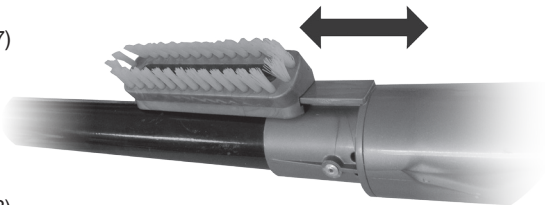


Installing the Brush Attachment

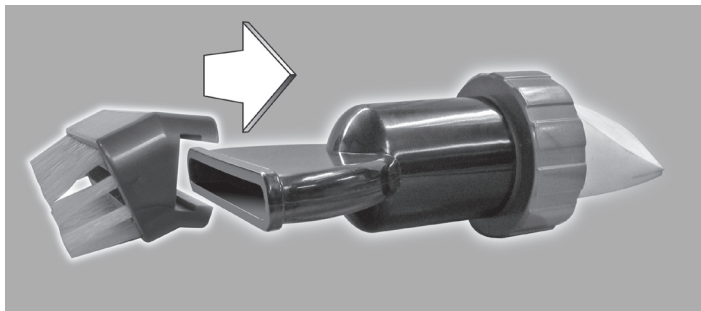
The Black Magic™ Spa Vac brush attachment works wonders on removing dirt and deposits from the pool or spa wall.

1. Remove brush attachment from the side of your Black Magic™ Spa Vac. (see *fig. 7*)
2. Slide brush onto the vacuum head. (see *fig. 8*)

(Fig. 7)



(Fig. 8)



Limited One-Year Warranty

Your Black Magic™ Spa Vac is warranted by Poolmaster, Inc. against manufacturer defects in material and workmanship under intended normal use by a residential spa or pool owner, as described in the enclosed assembly and operating instructions for a period of one year from the date of purchase.

During the warranty period, Poolmaster, Inc. agrees to repair at its own option, replace the unit or any part of the unit without charge for parts and labor. The Black Magic™ Spa Vac unit must be returned freight prepaid to Poolmaster, Inc. with proof of purchase and a letter of explanation.

This warranty does not cover damage or failure caused by or attributable to acts of God, abuse, accident, misuse, improper or abnormal usage, failure to follow instructions, improper maintenance, or alteration.

Poolmaster, Inc., 770 W. Del Paso Rd.
Sacramento, CA 95834-1117, U.S.A.