

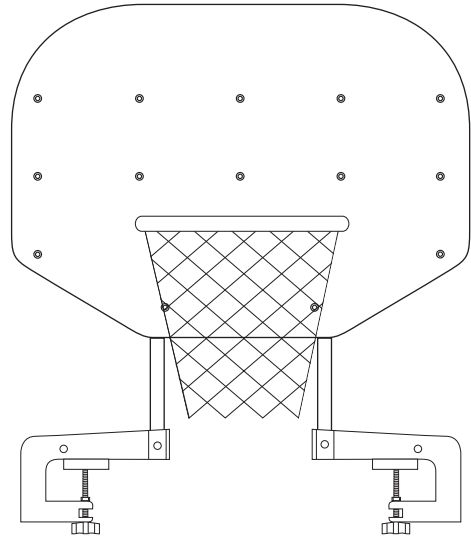
# Above-Ground Poolside Basketball Game

72784

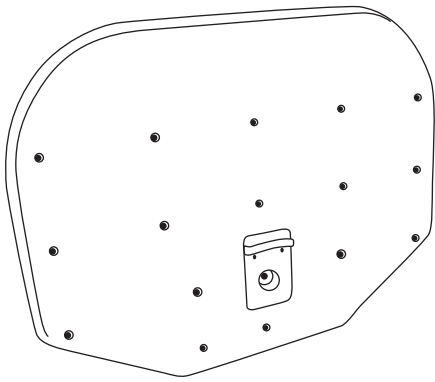
**POOLMASTER®**

We Make Water Fun!

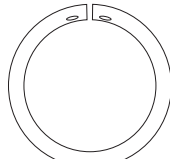
770 Del Paso Road, Sacramento, CA 95834-0308



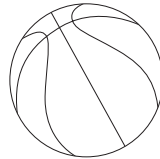
**Contents**



Backboard



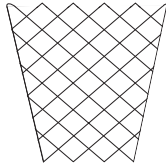
Hoop



Ball



Backboard Hoop Bracket



Polyethylene Net



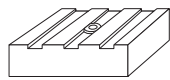
Ball Needle



PVC Supports with 2 caps (2)

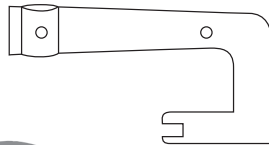


6 - 5/16 X 18" Thread Studs w/Hex Nuts & Knobs (2)



Block Support (2)

Mounting Brackets (2)



NO SLAM DUNKING!



1/4-20 x 2" Bolts (5)



1/4-20 x 2 1/2" Bolts (2)



Set Screws #8 x 32 (2)



1/4-20 Hex Nuts (7)



3/16 Washers (7)

## Product Care & Storage

Your new poolside game has been made with many non-corrosive quality materials and should provide you with many years of enjoyment with proper care. However, sun and chemically treated pool water (chlorine) are natural enemies of many synthetic materials. For maximum life of your game, please do the following:

1. Do not leave the game ball floating around the pool when not in use.
2. After use, wash away the chlorine pool water with plain water using a garden hose.
3. When not in use, store your game in a dry place away from direct sunlight.

**Recommended Tools**



Flat-head Screwdriver



Phillips Screwdriver

Need Assistance?

Call our Customer Service Line:

**800.854.1492**

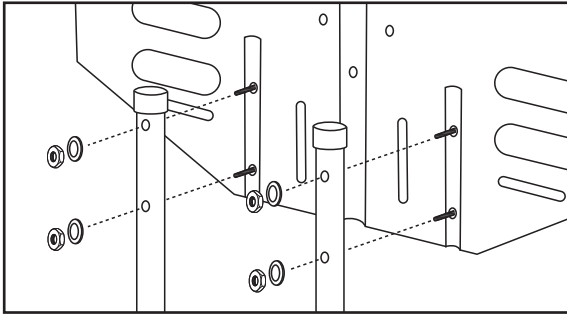
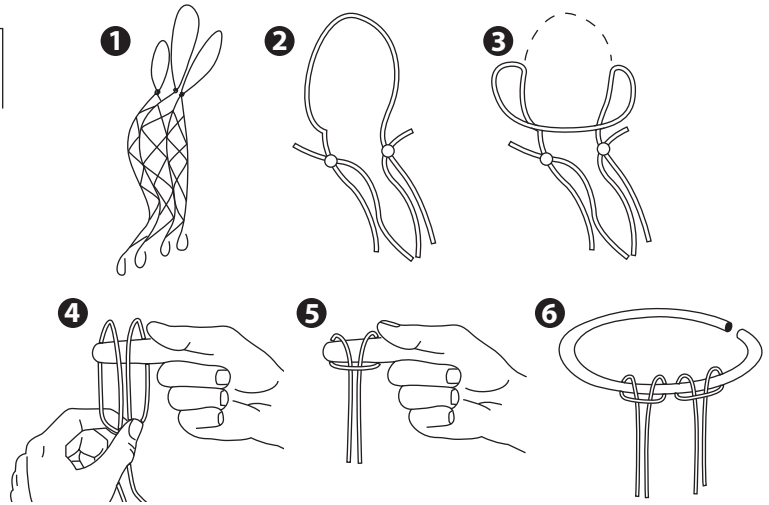
Visit our website @ [poolmaster.com](http://poolmaster.com)

eMail us @ [info@poolmaster.com](mailto:info@poolmaster.com)

**Step 1**

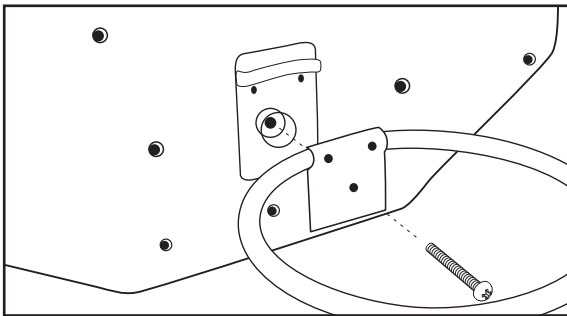
**Thread Net on PVC Hoop.**

- 1 This is the net right out of the package. You will be working with the longer looped end.
- 2 This is a close-up of the circled portion on diagram 1. This is one loop.
- 3 Fold the loop toward you, creating two loops.
- 4 Insert your finger through the two loops.
- 5 Release the thumb holding the loop in place and pull on the two middle strings. The loop should slide up and catch your fingers.
- 6 Take the loop from your finger and slide onto the basketball hoop. Continue this process with each loop until all loops are on the hoop.



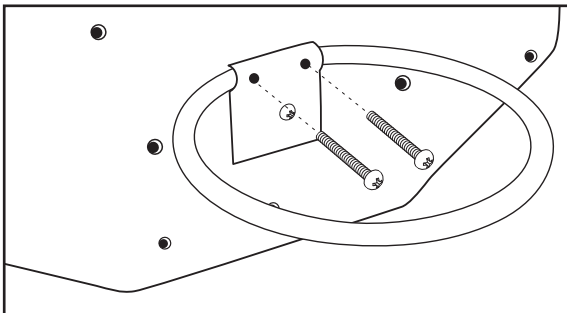
**Step 2**

- Attach the (2) PVC Upright Supports to the Backboard using (4) 2" Bolts and secure with Washers & Hex Nuts. (Ensure the Caps are facing up on the PVC Supports)



**Step 3**

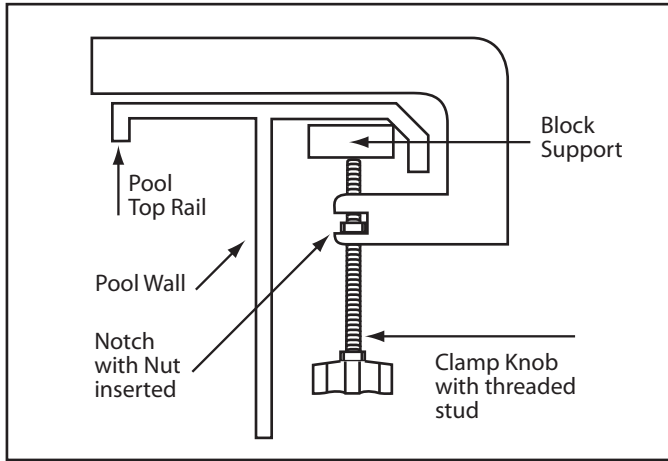
- Attach the hoop to the Backboard by inserting (1) 2" Bolt through center hole of the backboard hoop bracket and secure with washers and hex nuts. Do not tighten yet.



**Step 4**

- Complete the attachment of the Hoop to the Backboard by inserting (2) 2 1/2" Bolts through the top two holes of the Hoop Bracket. Secure with washers and hex nuts.

**Mounting Bracket Detail**

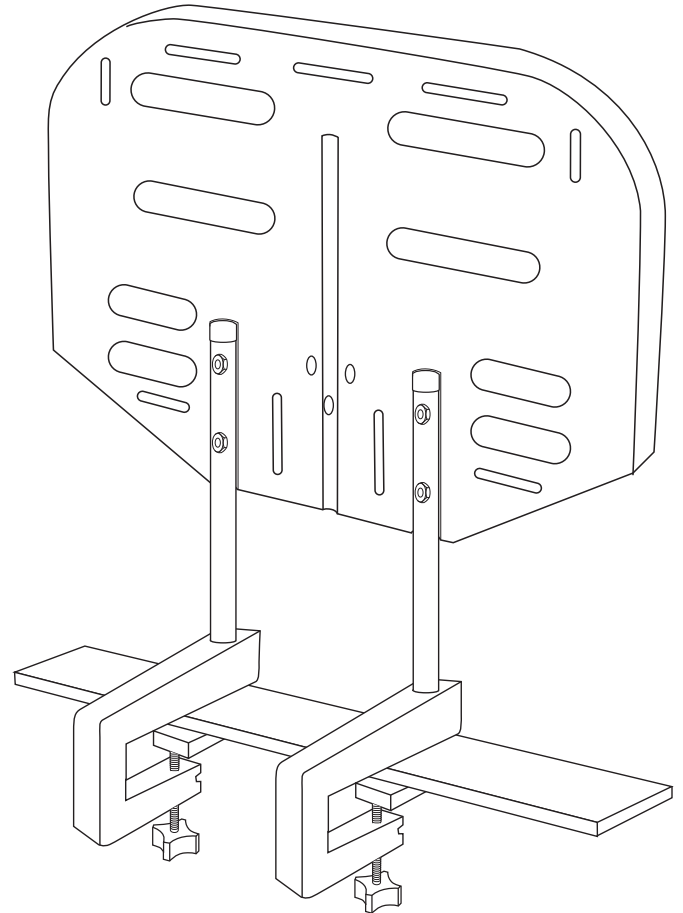
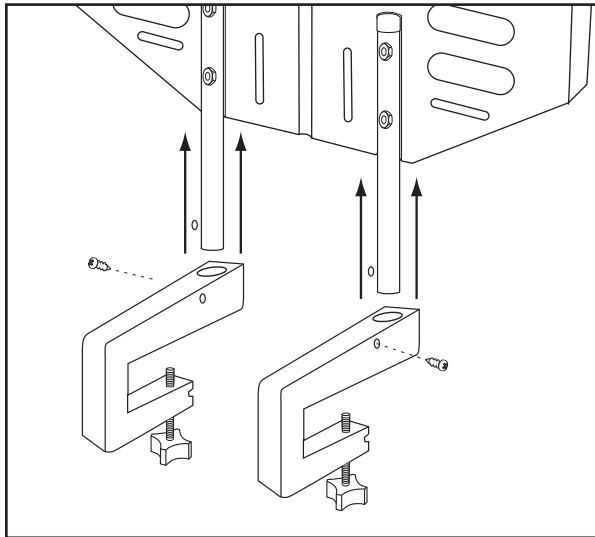


**Step 5**

- Slide the Mounting Brackets over the top rail. Attach with Clamp Knob making sure Block Support is between clamp knob and underneath top rail. Loosely tighten as you may have to adjust placement during Step 6.

**Step 6**

- Place the pre-assembled Brackets on the Uprights and secure at the desired position using the Set Screws.



**Step 7**

- Use Ball Needle and a hand pump(not included) to inflate.

**Step 8**

- Place "Warning! No Slam Dunking!" on rail between PVC Upright Supports.