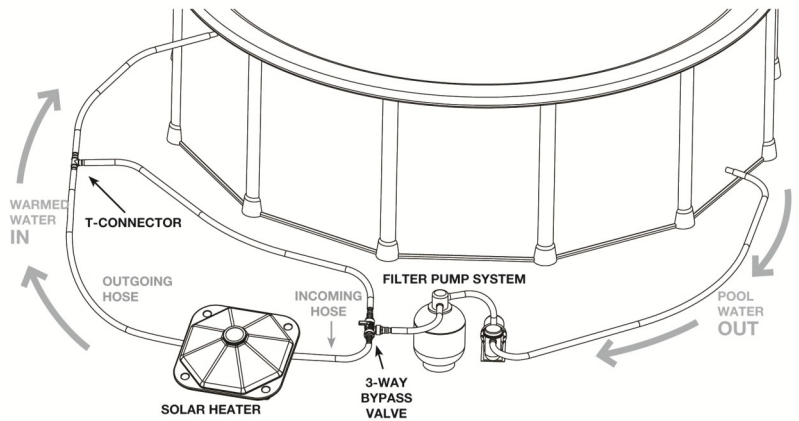


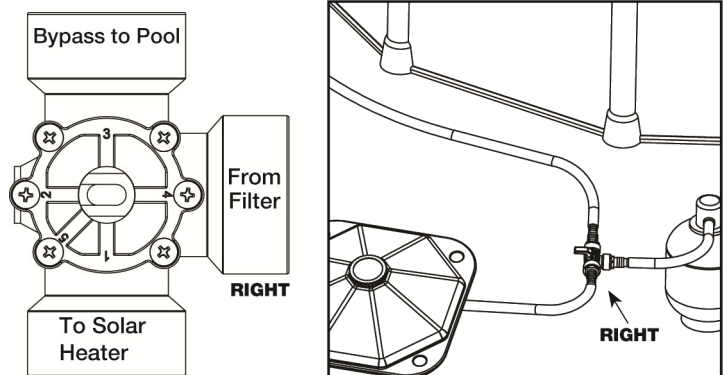
# IMPORTANT INFORMATION

## PLEASE READ BEFORE SETTING UP YOUR SOLAR HEATER!

**IMPORTANT NOTE #1 :** It is critical to set-up the 3-Way Bypass Valve in the **correct order**—between the **Filter / Pump** and **Solar Heater**. Although your pool set up may vary, the order of connections can not vary. *Refer to page 6 of the instructions for detailed information.*



**IMPORTANT NOTE #2 :** It is critical that the 3-Way Bypass Valve is **oriented** in the correct way for proper set up. Your pool set up may vary. *Refer to page 6 of the instructions for detailed information.*  
*Incorrect set up may cause severe damage*



### IMPORTANT NOTE #3 :

- Know the horsepower of your pump
- Note the markings on the 3-Way Bypass Valve and review the different positions that will best suit your needs
- Ideal setting for the 3-Way Bypass Valve is **position 5** (must have a 1/2 horsepower pump or greater)
- Use **position 1** on the 3-Way Bypass Valve to do the following:
  1. Stop the flow of water through the solar heater—recommended for nightly shut off
  2. Backwashing your filter or vacuuming your pool